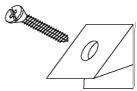

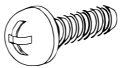
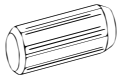

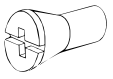


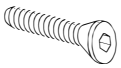


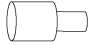
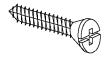
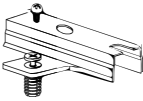
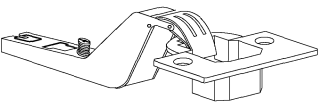
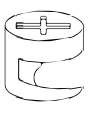

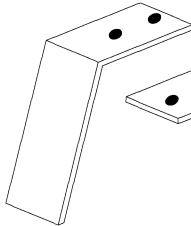



205446-06CF

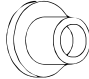
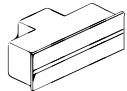
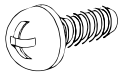
A		R1 x14		T4 x8	6x20 mm.		x4
B	 8x30 mm.	M9 x12	M11 x8	 6x9 mm.	x4	T12 	x4
C8	 ø15 x 14 mm	P12 x8	 6x11 mm.	x4	T13 6 ma X 20 mm.		x2
D		R2 x8	Ø20 mm. 	x14	R4 x4		x4

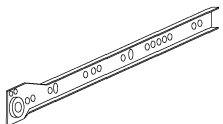
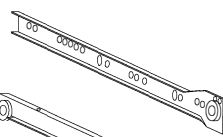

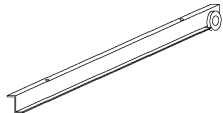
L2	 4x16 mm.	x12
N0		x6
O15		x6

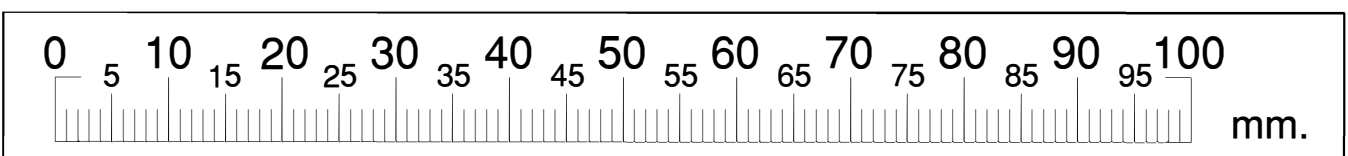
207745-07CFS		
C1	 ø12 mm.	x2
D1		x2

205446-08PIE	
	x2

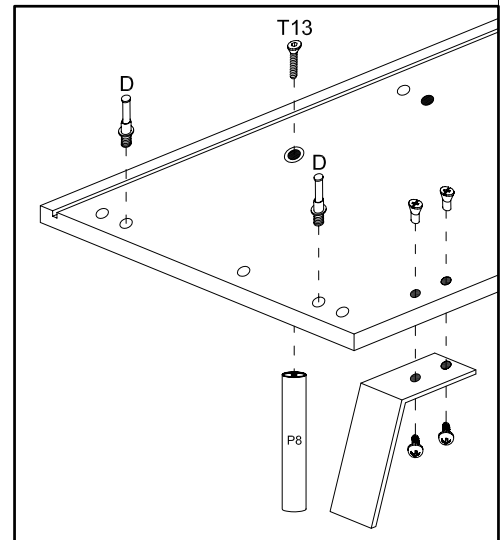
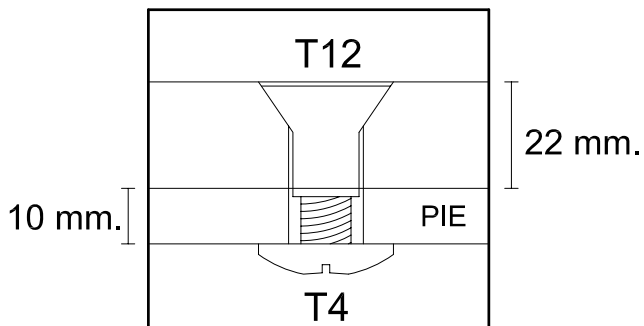
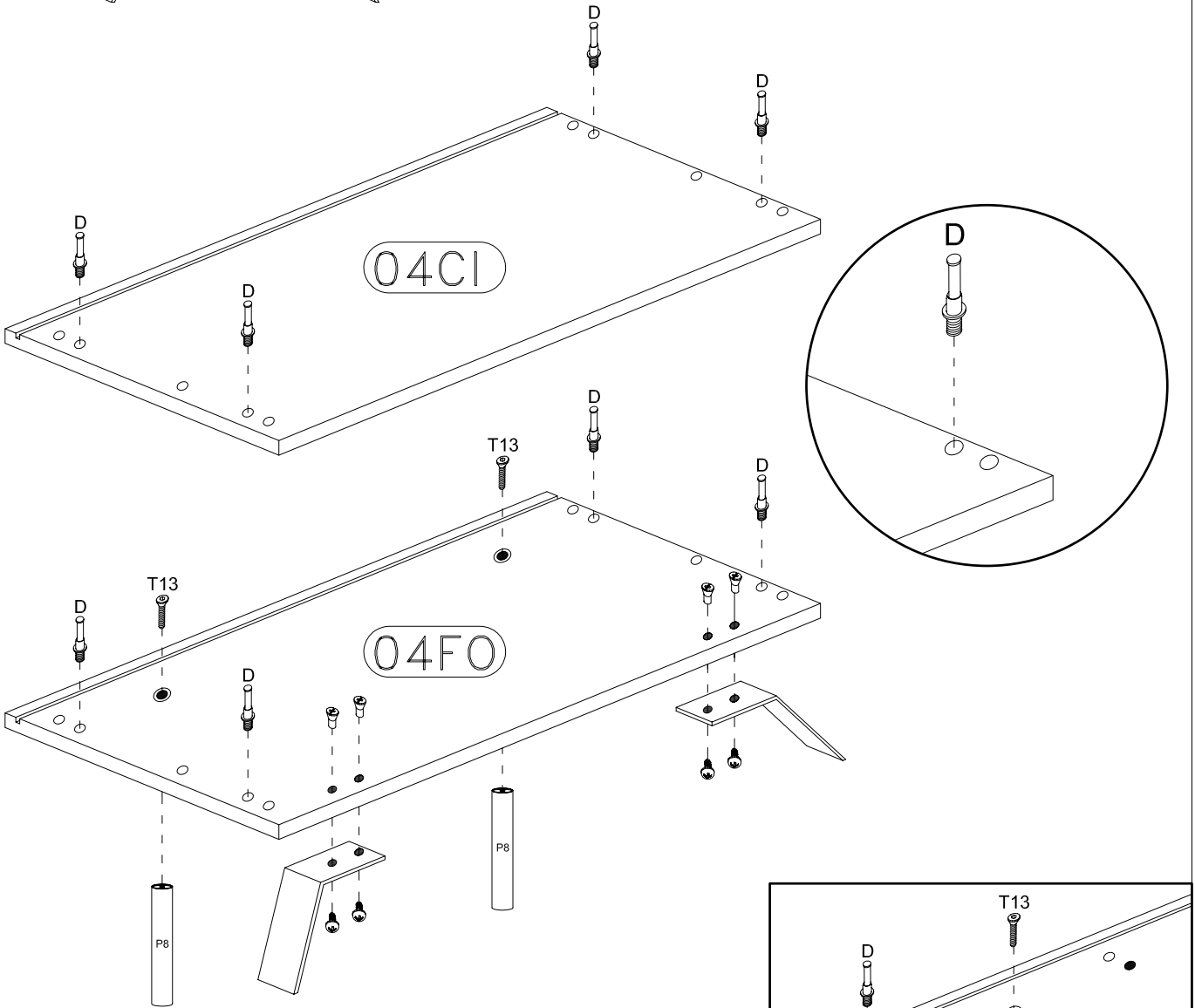
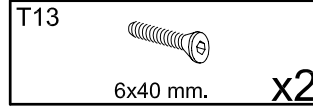
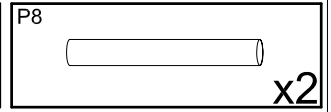
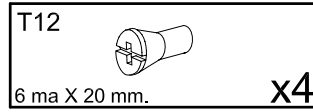
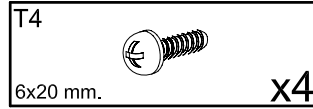
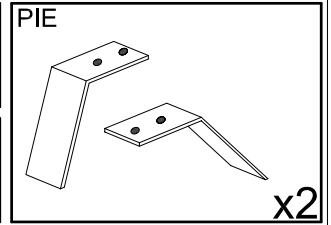
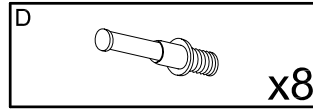
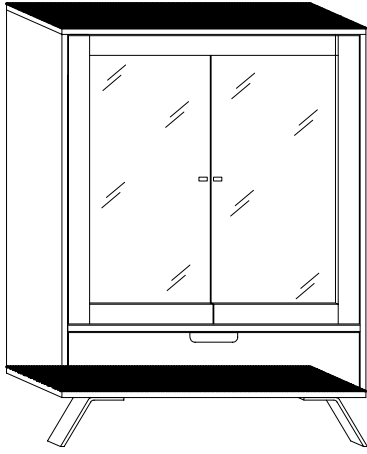
P8		x2
205446-02TUB		

205446-06CM		
P14		x2
PL		x2
L410	 4x10 mm.	x2

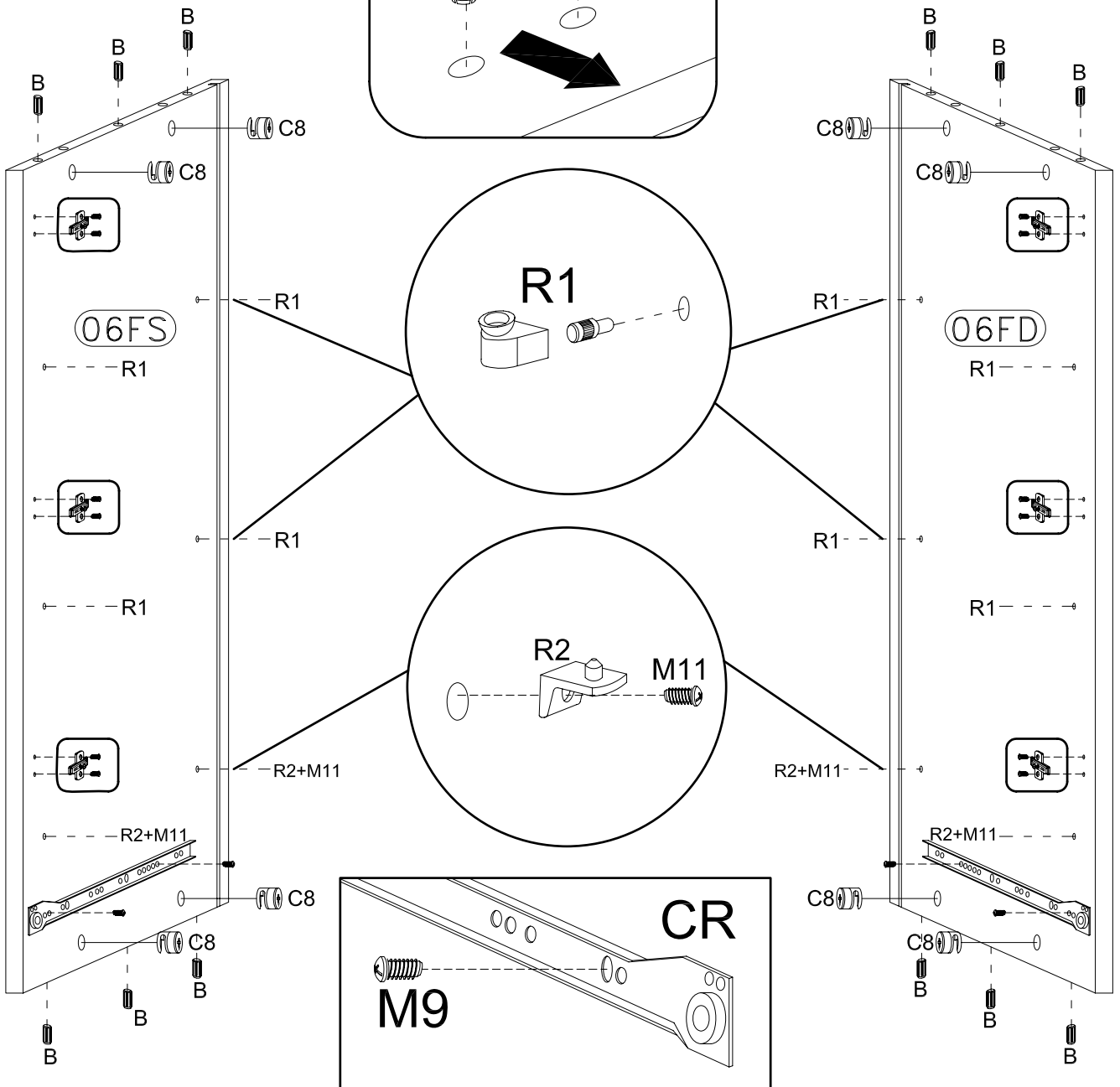
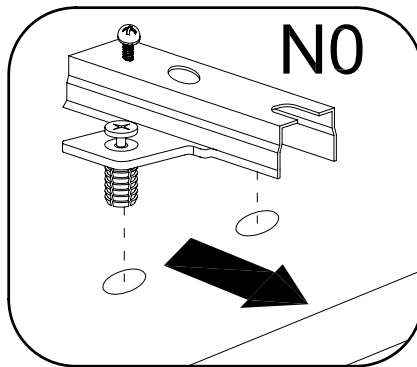
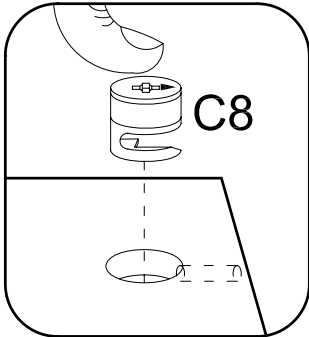
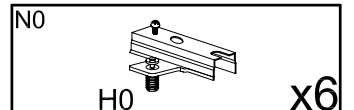
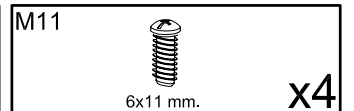
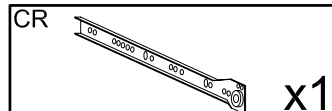
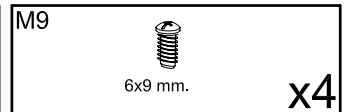
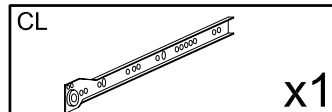
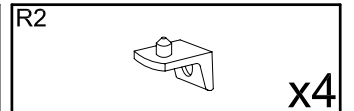
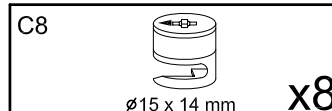
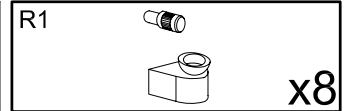
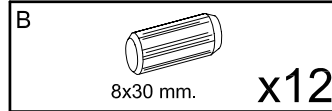
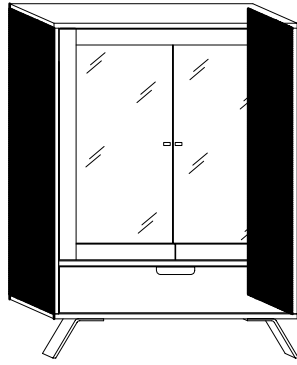
CL		x1
CR		x1
DR		x1
DL		x1



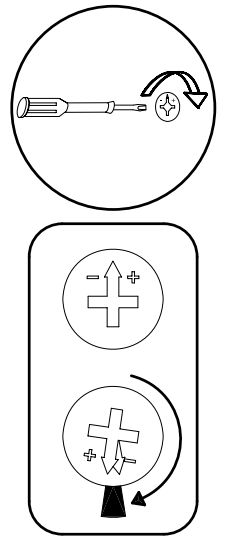
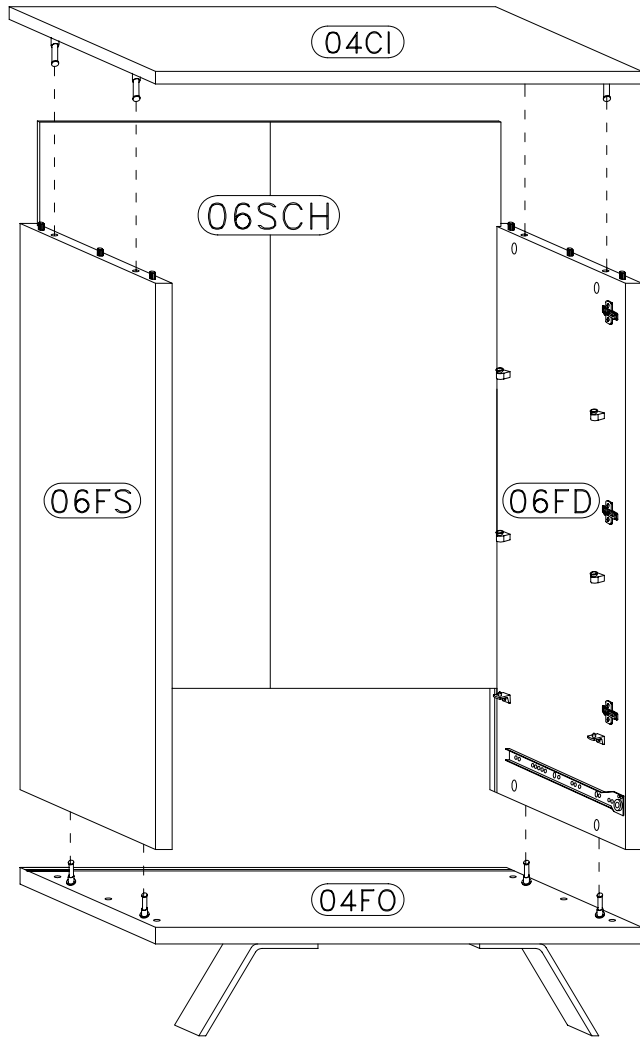
1



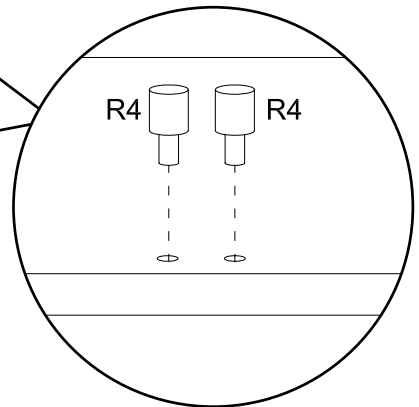
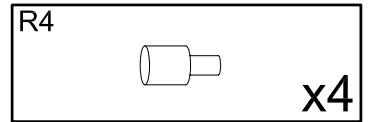
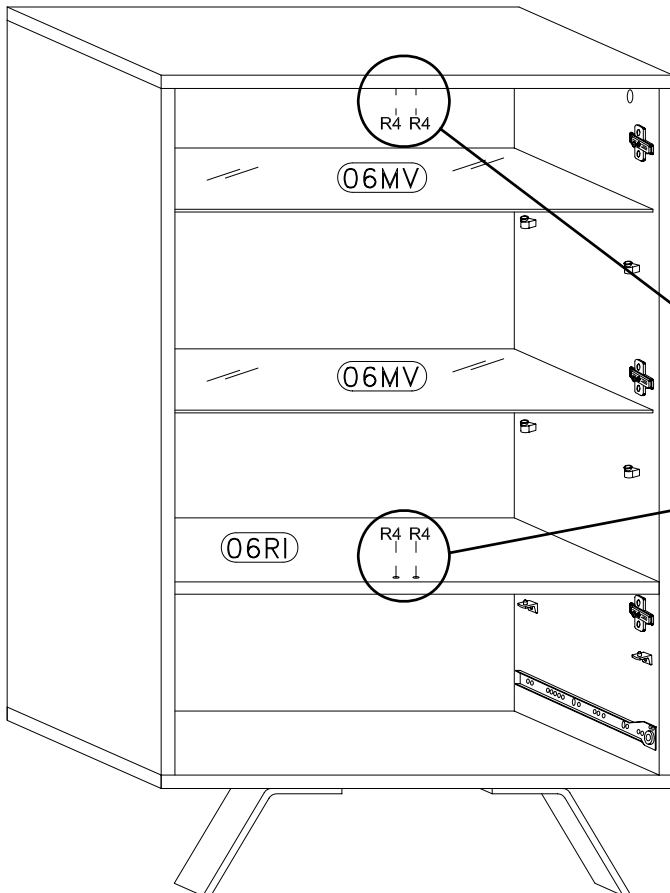
2



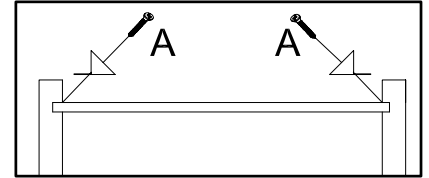
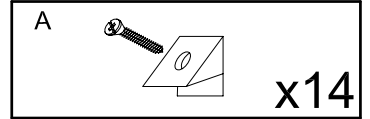
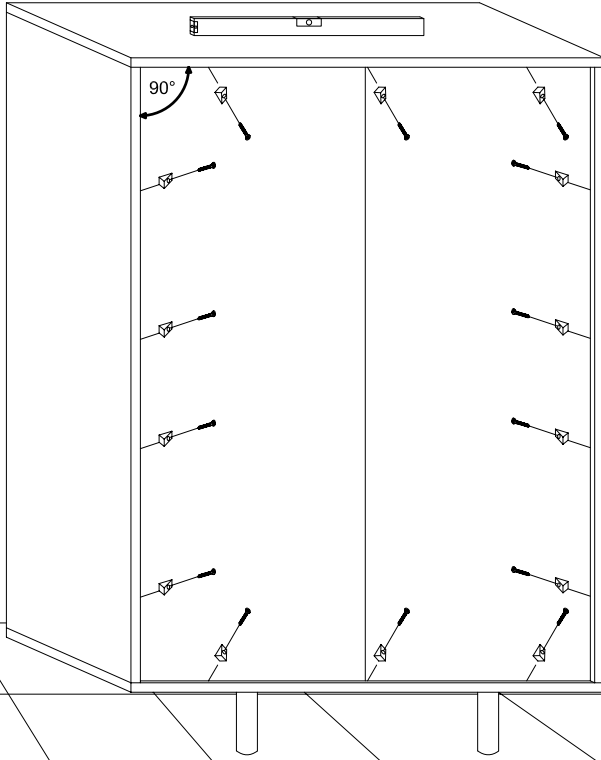
3



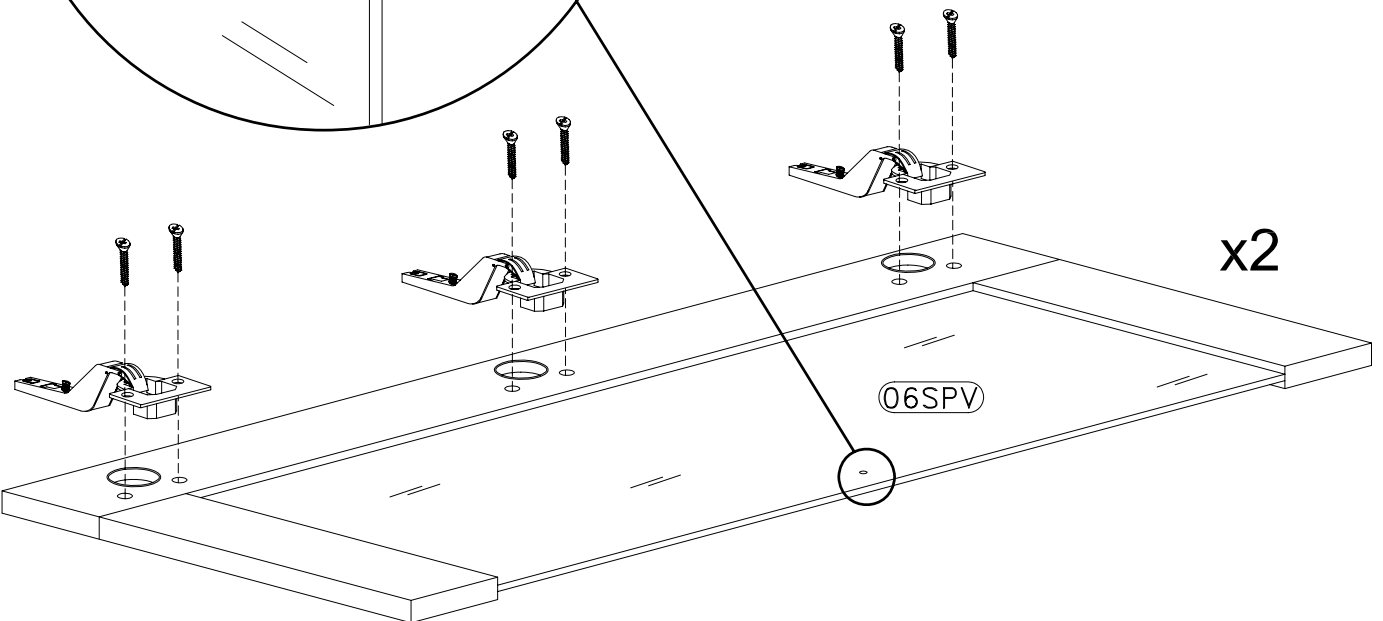
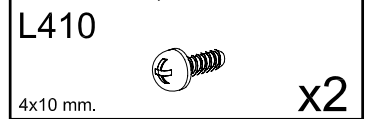
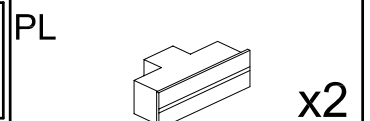
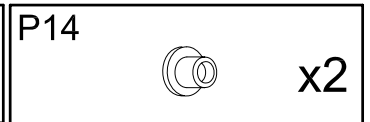
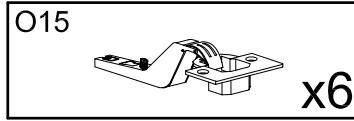
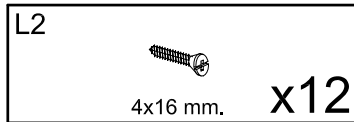
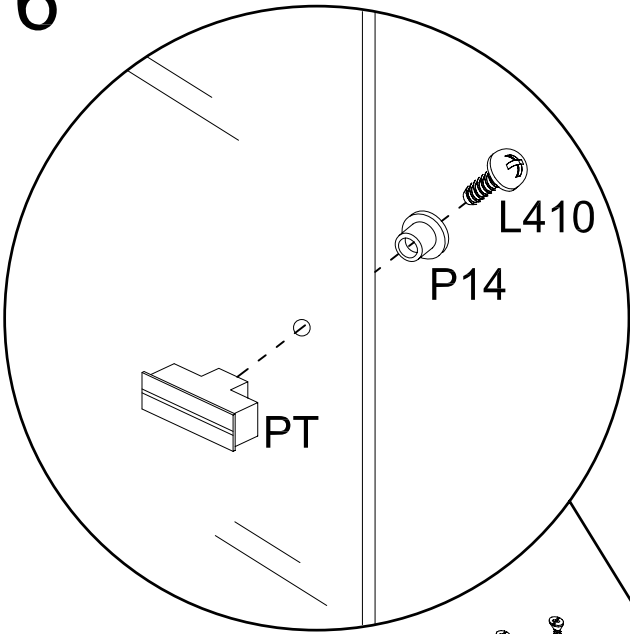
4



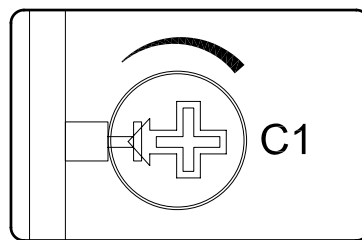
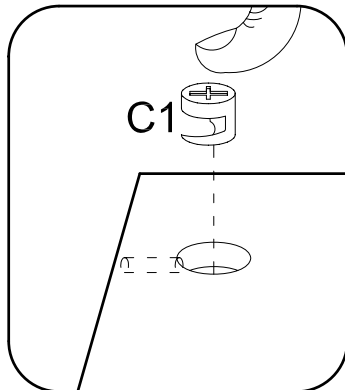
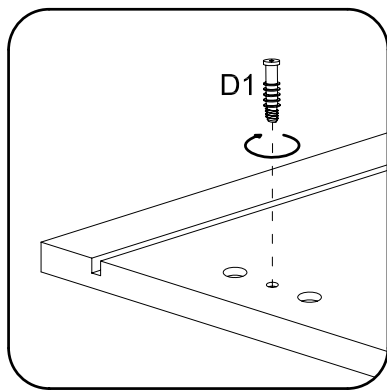
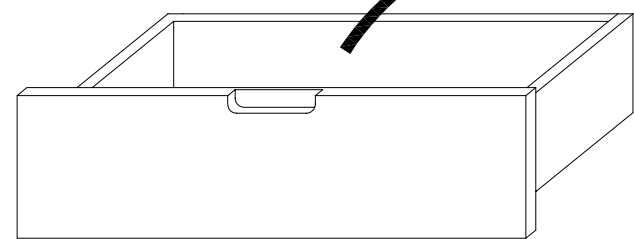
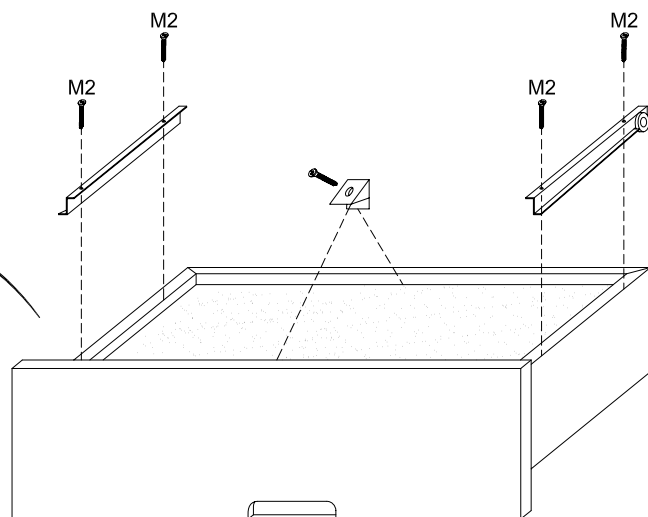
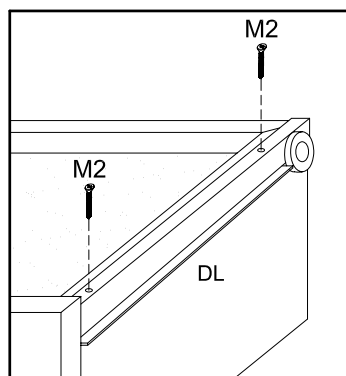
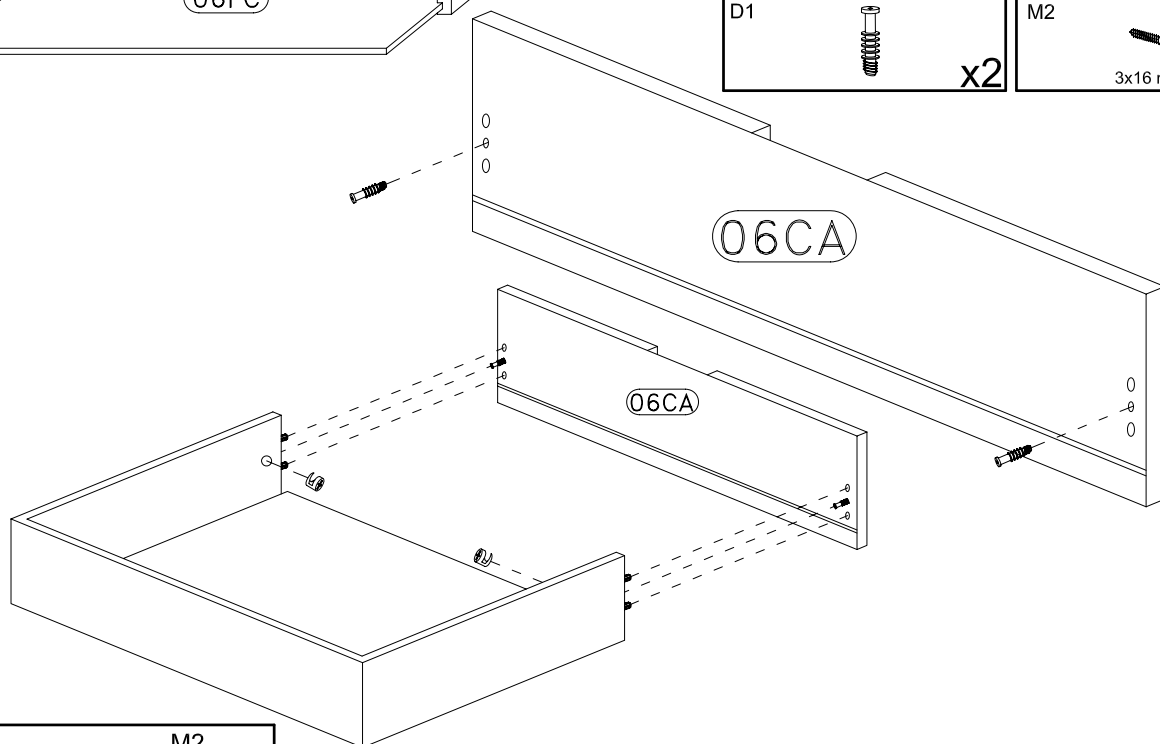
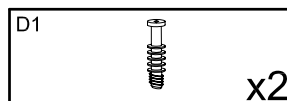
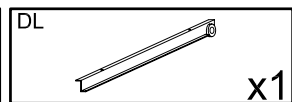
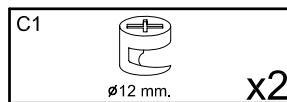
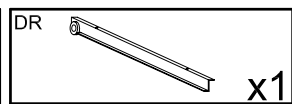
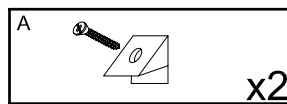
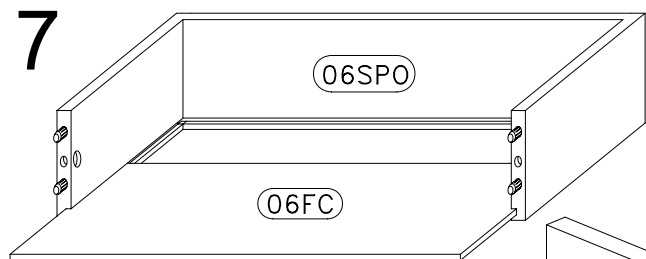
5



6

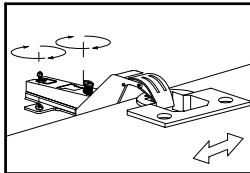
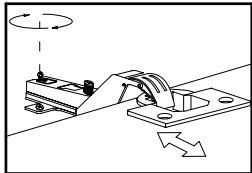
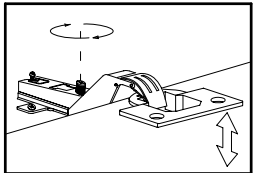
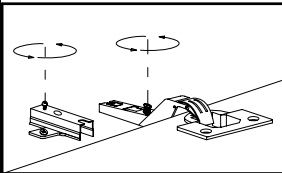
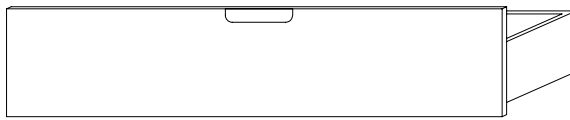
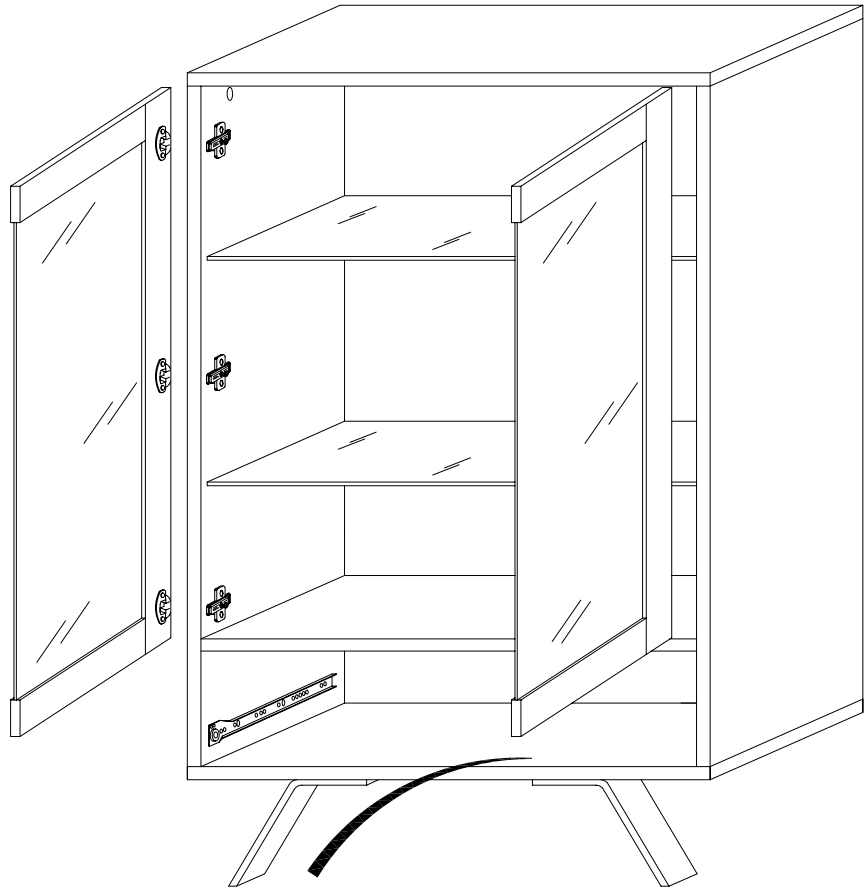
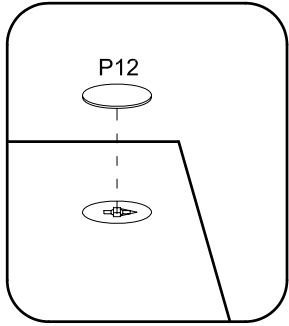



7





8



P12  
Ø20 mm.  x14

